

CLR-111 Camera Link Repeater

The CLR-111 Camera Link Repeater is an economical approach for increasing separation between camera and frame grabber. One Camera Link cable pair connects the camera to the repeater, and a second cable pair connects the repeater to the frame grabber. This arrangement provides a 20 meter reach between camera and frame grabber using standard 10m Camera Link cables. Several repeaters and cable sets may be cascaded to support greater distances. The CLR-111 supports all Camera Link configurations (base, medium, full) with pixel clock rates up-to 85 MHz. The CLR-111 also supports 80-bit extended-mode applications. A front-panel mode dipswitch optimizes the CLR-111 for use with different cameras and frame grabbers. This feature is particularly useful in difficult high clock frequency and/or long reach applications. The CLR-111 Camera Link Repeater is housed in a sturdy, compact aluminum enclosure and is well suited for industrial environments.



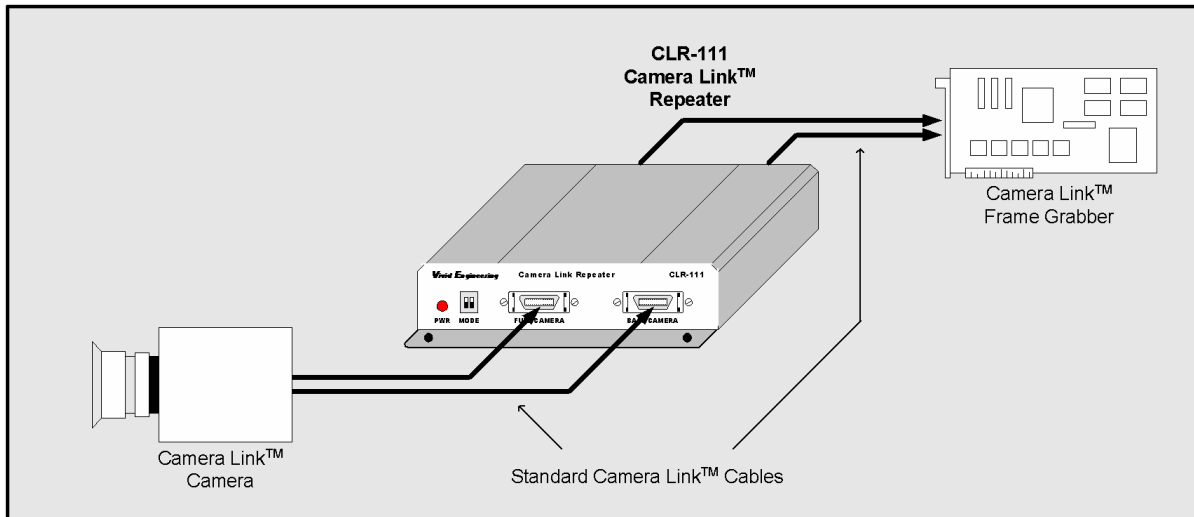
Features

- Doubles max distance between camera and frame grabber
- Uses standard Camera Link cables (not included)
- Supports all Camera Link configurations (*base, medium, full*)
- High-speed 85 MHz interface chipset, works with any camera
- 80-bit extended mode compatible
- Several repeaters may be cascaded for greater distances
- Flow-through connector placement
- Sturdy, compact aluminum enclosure w/ mounting flange
- Optional external power supply
- FCC & CE compliant (*pending*)
- 3-year warranty



PRELIMINARY INFORMATION

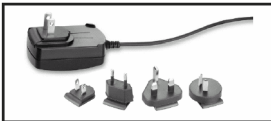
Typical Application



Rear Panel



Power Supply



Specifications

Feature	Specification
Video Interfaces	Camera Link Spec "full" configuration
Video Connectors	26-pin MDR type
Frequency Range	20 - 85 MHz
Chipset	National Semi. DS90CR287 / DS90CR288A
Power Supply	Int'l wall style w/ US & Europe outlet plugs (optional)
Power Jack	2.1 x 5.5 mm, center-positive
Power Requirements	5-7 VDC, TBD mA (typical)
Cabinet Dimensions	5.28" (L) x 1.18" (H) 6.12" (D) (including mounting flange)
Weight	TBD oz
Operating Temp Range	0 to 50° C
Storage Temp Range	-25 to 75° C
Relative Humidity	0 to 90%, non-condensing
Compliance	FCC Class A, CE EN55024, ROHS (Pending)



Ordering Information

Model	Description
CLR-111	Camera Link Repeater (with international power supply)
CLR-111-N	Camera Link Repeater (without power supply)



418 Boston Turnpike #104 • Shrewsbury, MA 01545 • USA
 phone 508-842-0165 • fax 508-842-8930
 email info@vividengineering.com
 web www.vividengineering.com

rev 1.1, 8/28/2006